

Lot 198 Wycombe Road  
Terrigal NSW 2260

Phone/Fax : (02) 43 844 124  
Mobile : 0408 844 123

[www.precisionvision.com.au](http://www.precisionvision.com.au)

Email: [sales@precisionvision.com.au](mailto:sales@precisionvision.com.au)



- REVERSING & REAR VIEW SYSTEMS
- IN CAR DVD/TV
- SATELLITE NAVIGATION

ABN: 71 576 456 084

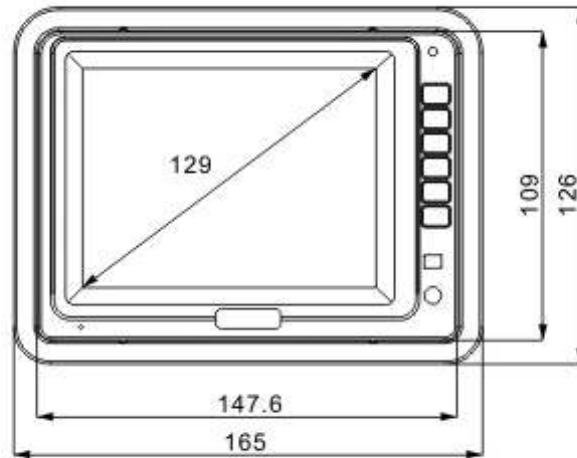
ACN: 114941892

---

# Precision Vision

# Product Specifications Document

## **5" TFT-LCD Monitor**



unit: mm

### **Features**

- TFT LCD monitor with wide view angle and fine pictures. No radiation.
- Multi-languages of display available: English, French, Chinese, Russian, Italian, Spanish, Portuguese, German and Arabian
- Automatic front panel LED activation at night
- Mirror and Unmirror switch available
- Multiple system available: PAL/NTSC
- Variable/Automatic power supply: 10~32V. Supports 12V/24V vehicle storage battery
- Two cameras can be connected to the monitor
- Picture turning up/down, or turning left/right
- Automatic brightness control
- Automatic activation when engaging reverse or using side indicator (optional)
- Built in speaker
- Full function remote control

### **Specifications**

Display component: 5" TFT-LCD monitor

Audio output: 1W

Loudspeaker: one 4.0cm round loudspeaker

Connectors: automobile power supply adapter, AV and power cable, earphone

Power supply: automobile storage battery(10-32V), automobile adapter

Power consumption: about 8W

Outer dimensions: 147.6mm(W) x 109mm(H) x 26.5mm(T) without back shield; 165mm(W) x 126mm(H) x 29.2(T) with back shield

Dot pitch: 0.107(H) x 0.319(V)

Resolution: 960(H) x 234(V)

Contrast: 150:1

Brightness:300cd/m<sup>2</sup>

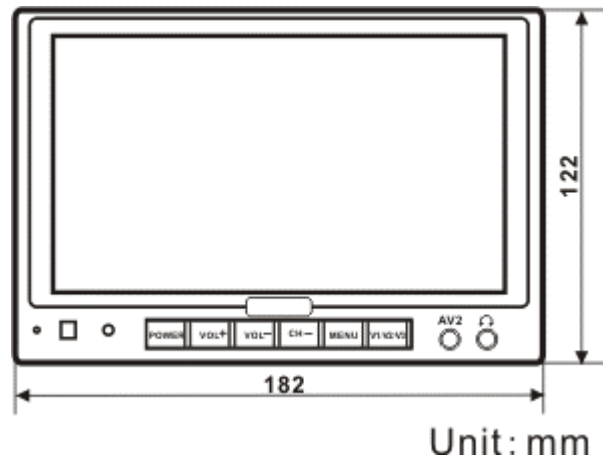
Viewing angle: U: 15 / D: 35, R/L: 54

Operating temperature: -20~+70°C, RH90%

Storage temperature: -30~+80°C, RH90%

Viewing Angle: U: 15 / D: 35, R/L: 50

## 7" Commercial Monitor



### Features

- LCD monitor with wide view angle and fine pictures. No radiation
- Picture turning up/down, or turning left/right function
- Multi-languages of display available: English, French, Chinese, Russian, Italian, Spanish, Portuguese, German and Arabian
- Game function
- Automatic front panel LED activation at night
- Mirror and normal image switch available
- Automatic brightness control function
- Full-function remote controller
- Multiple system available: PAL/NTSC
- Three AV input, 3 cameras can be connected to the monitor
- Earphone output jack
- Arian/automatic range power supply: 12~32V.
- Cameras powered through LCD itself and no control box needed
- Built-in speaker
- Auto activate on reverse signal and side indicator (optional)

### Monitor

Display component: 7" TFT-LCD monitor

Audio output: 1W

Loudspeaker: one 4.0cm round loudspeaker

Connecting items included: earphone jack, audio/video(AV) input jack, external power supply input jack, camera connector

Power supply: automobile storage battery(12-32V), automobile adapter

Power consumption: about 12W

Outer dimensions: 182mm(W) x 122mm(H) x 26mm(T)

without back shield; 198mm(W) x 138mm(H) x 31(T) with back shield

Dot pitch: 0.107(H) x 0.370(V)

Resolution: 480 x 3(RGB) x 234

Contrast: 150:1

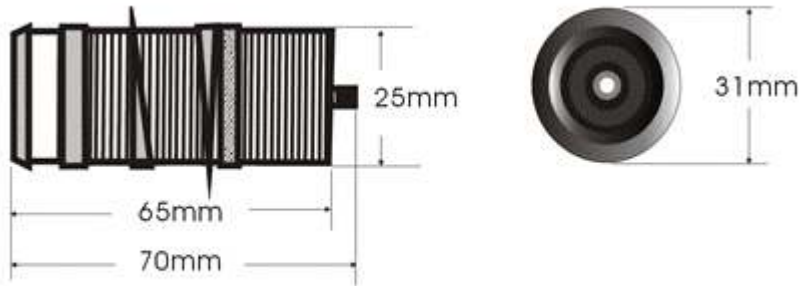
Brightness: 300cd/m<sup>2</sup>

Viewing angle: U: 40 / D: 60, R/L: 60

Operating temperature: -20~+70°C, RH90%

Storage temperature: -30~+80°C, RH90%

## Standard Bullet Camera



(unit : mm)

### **1 / 3" COLOR CCD SENSOR SPECIFICATIONS**

*Without Audio and IR*

Image Device: SHARP

TV System: PAL / NTSC

Effective Pixels: 512 x 582 pixels / 512 x 492 pixels

Sensing Area: 4.9mm x 3.7mm

Scanning System: 2:1Interlace

Sync. System: Internal

Resolution: 420TV lines

Horizontal Sync. Frequency: 15.625KHz / 15.734KHz

Vertical Sync. Frequency: 50Hz / 60Hz

Minimum Illumination: 1 Lux/F1.2

Video Output: 1.0vp-p, 75Ohm

Gamma Consumption: 0.45

AGC: Auto

S/N Ratio: Better than 48dB

White Balance: Auto

Electronic Shutter: 1/60(NTSC) / 1/50(PAL) ~ 1/10,000 Seconds

BLC: Auto

Current Consumption: Max. 100mA

Power Supply: DC12V

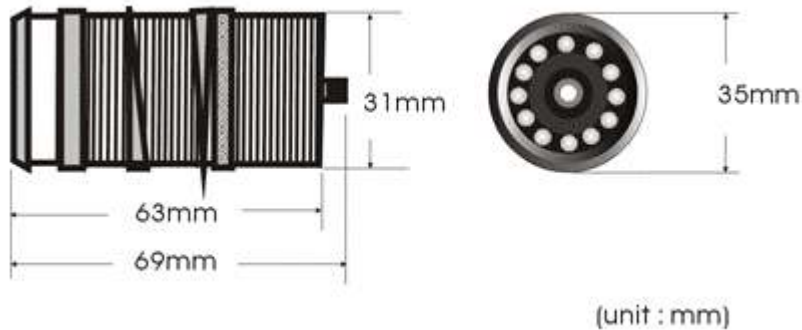
Operating Temperature: -20°C~70°C , RH95%MAX

Storage Temperature: -40°C~80°C, RH95%MAX

Lens: f=3.6mm / F = 2.0

Lens Angle: 92°

## **Bullet Camera with IR**



### **1 / 3" COLOR CCD SENSOR SPECIFICATIONS**

*Without Audio*

Image Device: SHARP

TV System: PAL / NTSC

Effective Pixels: 512 x 582 pixels / 512 x 492 pixels

Sensing Area: 4.9mm x 3.7mm

Scanning System: 2:1 Interlace

Sync. System: Internal

Resolution: 420TV lines

Horizontal Sync. Frequency: 15.625KHz / 15.734KHz

Vertical Sync. Frequency: 50Hz / 60Hz

Minimum Illumination: 0 Lux/F1.2 *with IR*

Video Output: 1.0vp-p, 75Ohm

Gamma Consumption: 0.45

AGC: Auto

S/N Ratio: Better than 48dB

White Balance: Auto

Electronic Shutter: 1/60(NTSC) / 1/50(PAL) ~ 1/10,000 Seconds

BLC: Auto

Current Consumption: Max. 300mA

Power Supply: DC12V

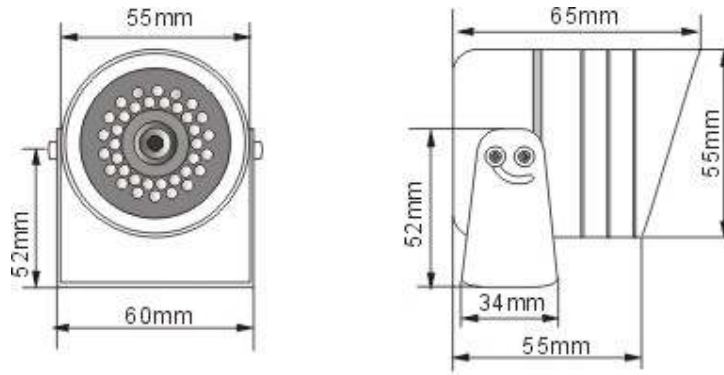
Operating Temperature: -20° C ~ 70° C, RH95% MAX

Storage Temperature: -40° C ~ 80° C, RH95% MAX

Lens: f=3.6mm / F = 2.0

Lens Angle: 92°

## Circular Bracket Mounted



Unit: mm

### **1 / 3" COLOR CMOS SENSOR SPECIFICATIONS**

*With Audio and IR*

Image Device: OV7910

TV System: PAL / NTSC

Effective Pixels: 628 x 582 pixels / 510 x 492 pixels

Sensing Area: 5.78mm x 4.19mm / 4.69mm x 3.54mm

Scanning System: 2:1Interlace

Sync. System: Internal

Resolution: 380TV lines

Horizontal Sync. Frequency: 15.625KHz / 15.734KHz

Vertical Sync. Frequency : 50Hz / 60Hz

Minimum Illumination: 0 Lux/F1.2 with IR

Video Output: 1.0vp-p, 75Ohm

Microphone: Optional

Gamma Consumption: 0.45

AGC: Auto

S/N Ratio: Better than 48dB

White Balance: Auto

Electronic Shutter: 1/60~1/15,000 Seconds

BLC: Auto

Current Consumption: 200mA

Power Supply: DC12V

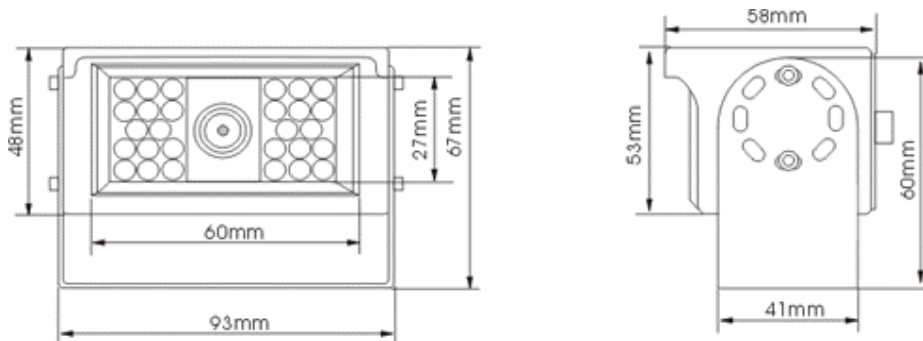
Operating Temperature: -10° C~46° C , RH95% MAX

Storage Temperature: -30° C~60° C, RH95% MAX

Lens: f=6.0mm / F = 2.0

Lens Angle: 69°

## Square Bracket Mounted Camera



### **1 / 3" COLOR CCD SENSOR SPECIFICATIONS**

*With Audio and IR*

Image Device: SHARP

TV System: PAL / NTSC

Effective Pixels: 512 x 582 pixels / 512 x 492 pixels

Sensing Area: 4.9mm x 3.7mm

Scanning System: 2:1 Interlace

Sync. System: Internal

Resolution: 420TV lines

Horizontal Sync. Frequency: 15.625KHz / 15.734KHz

Vertical Sync. Frequency: 50Hz / 60Hz

Minimum Illumination: 0 Lux/F1.2 with IR

Microphone: Optional

Video Output: 1.0vp-p, 75Ohm

Gamma Consumption: 0.45

AGC: Auto

S/N Ratio: Better than 48dB

White Balance: Auto

Electronic Shutter: 1/60(NTSC) / 1/50(PAL) ~ 1/10,000 Seconds

BLC: Auto

Current Consumption: Max. 300mA

Power Supply: DC12V

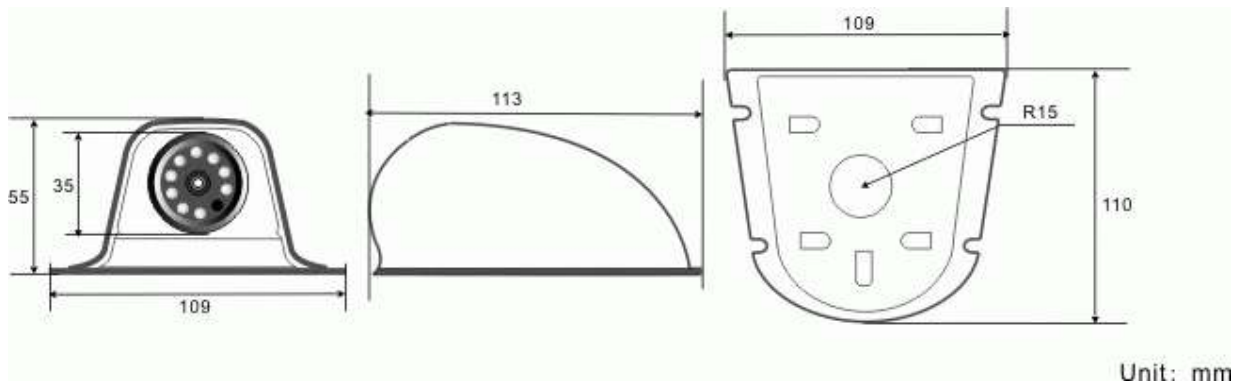
Operating Temperature: -20° C ~ 70° C, RH95% MAX

Storage Temperature: -40° C ~ 80° C, RH95% MAX

Lens: f=3.6mm / F = 2.0

Lens Angle: 92°

## Side Mount Camera



### **1/3" COLOR CCD SENSOR SPECIFICATIONS**

*No Audio function available on this model*

Image Device: SHARP

TV System: PAL / NTSC

Effective Pixels: 512 x 582 pixels / 512 x 492 pixels

Sensing Area: 4.9mm x 3.7mm

Scanning System: 2:1 Interlace

Sync. System: Internal

Resolution: 420TV lines

Horizontal Sync. Frequency: 15.625KHz / 15.734KHz

Vertical Sync. Frequency: 50Hz / 60Hz

Minimum Illumination: 0 Lux/F1.2 *with IR*

Video Output: 1.0vp-p, 75Ohm

Gamma Consumption: 0.45

AGC: Auto

S/N Ratio: Better than 48dB

White Balance: Auto

Electronic Shutter: 1/60(NTSC) / 1/50(PAL) ~ 1/10,000 Seconds

BLC: Auto

Current Consumption: Max. 300mA

Power Supply: DC12V

Operating Temperature: -20° C~70° C, RH95% MAX

Storage Temperature: -40° C~80° C, RH95% MAX

Lens: f=3.6mm / F = 2.0

Lens Angle: 92°

## Miniature Camera



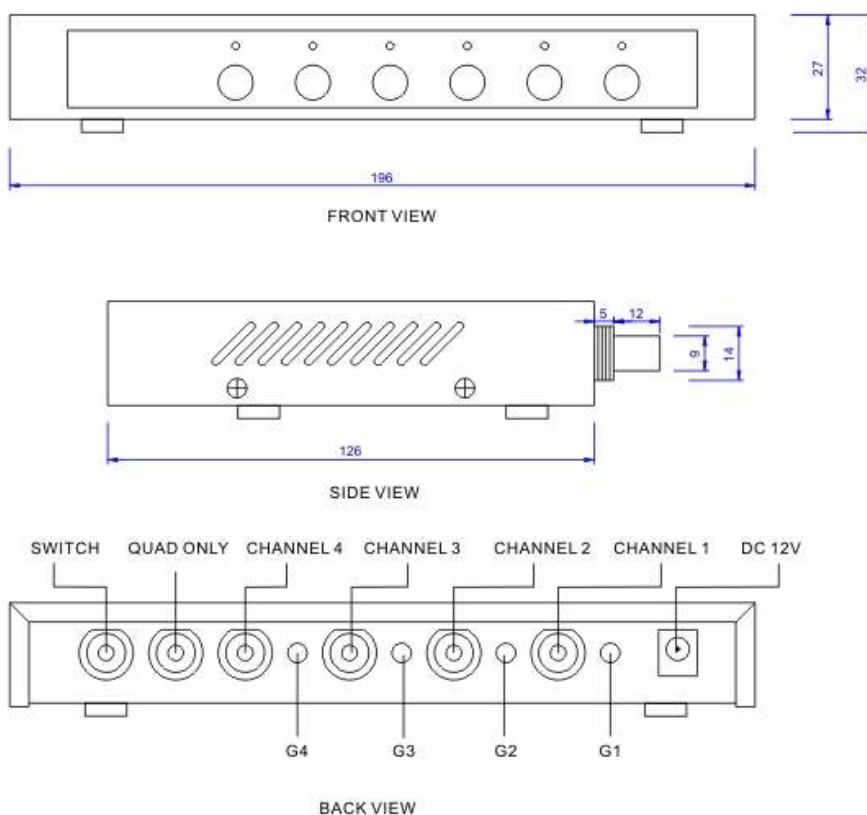
Sensor: 1/4" Color CCD  
Video System: NTSC/PAL  
Pixels: NTSC-250K PAL-290K  
Minimum Illumination: 0.2 Lux/F1.2  
Resolution: 350 TL lines  
View Angle: 120/60 degrees  
Power: 12 – 16v 110mA  
Mirror or normal function  
External Size: 16mm (D) \* 25mm (L)

## Mirror Monitor



Monitor Size	4.05" TFT LCD Colour Monitor
Monitor Resolution	480*234 dot
Monitor Dot Pitch (mm)	0.171 (W)*0.264(H)
Monitor Active Area (mm)	82.1 (W)*61.8(H)
Video Signal Input	NTSC & PAL Dual Signal Auto SW. Analog Input Signals RGB
Brightness (Luminance)	250 nit
Monitor View Angle	V: +10° ~-30° / H: +45° ~-45°
Mirror Size	28cm*4.5cm*9.0cm(Right or Left Side Monitor)
Power	DC 12V
Mirror Lens	Anti-glare Blue Lens
Control Switch	Contrast / Colour / Brightness
Rear Video View Priority	Yes. 4 CH For Video Signal Input.
Operating / Storage Temperature	0°C ~ 60°C / -25°C ~ 80°C

## Multiplexer/Quad Splitter



### Features

- Allows monitor to display up to four cameras in rotation or simultaneously
- Picture in Picture feature allowing up to 2 images to be superimposed on main image
- Zoom function
- Full remote control
- 12V compatible
- Can be programmed to be movement activated
- Date/time and title display
- Output to DVR/VCR for recording and playback
- Full colour display

### Specifications

Frame Rate: NTSC, 30fps; PAL, 25fps

Horizontal Resolution: NTSC, 860\*525; PAL, 860\*625

Video Input: 4 BNC connector, 1.0 Vp-p 75Ohm for camera input

1 BNC connector, 1.0 Vp-p 75Ohm for VCR input

Video Output: 4 BNC Looping, 1.0 Vp-p 75Ohm for camera output

2 BNC connector, 1.0 Vp-p 75Ohm for monitor & VCR output

Alarm: Yes

Time/Date/Title: Yes

Input Voltage: 12 VDC

Power Consumption: 800mA

Operating Temperature: -10°C to 50°C

Dimensions: 218mm(L)\*198mm(W)\*43mm(H)

Weight: 1.5kg

Brightness Adjustment: Available